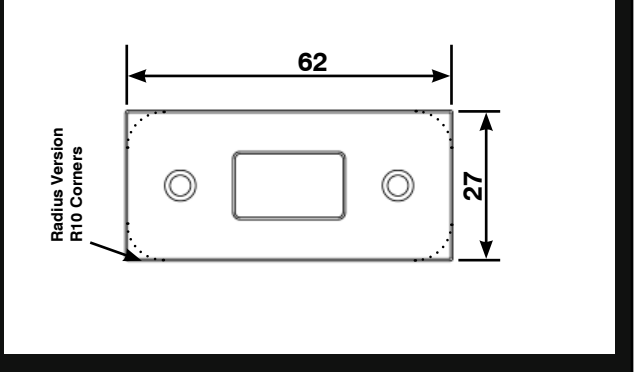
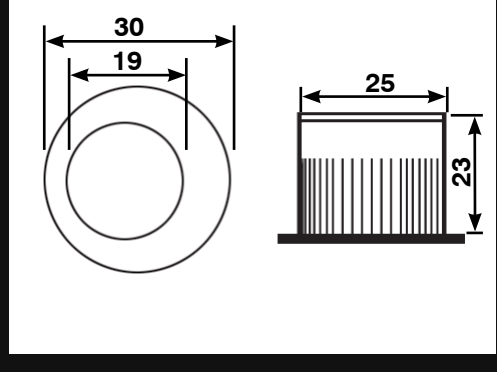
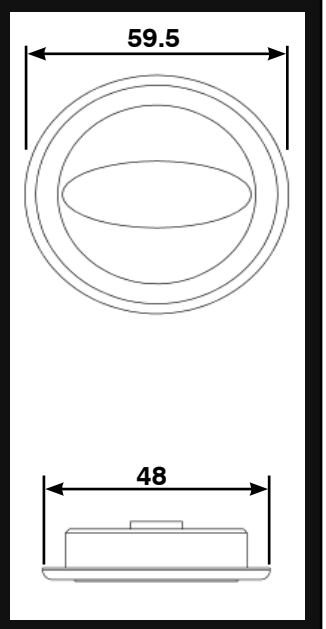
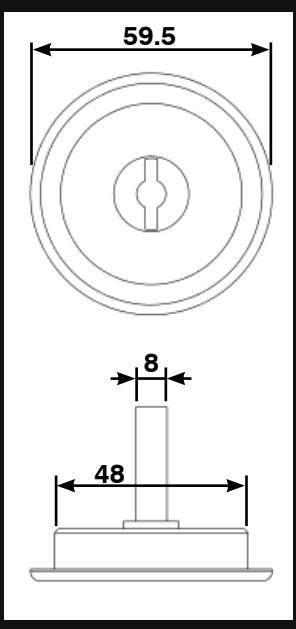
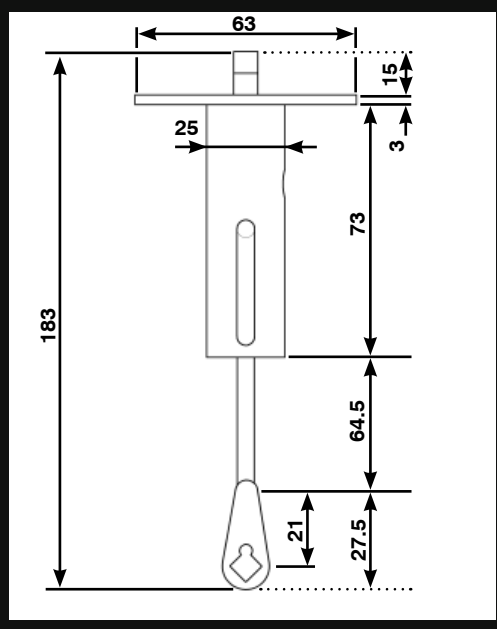
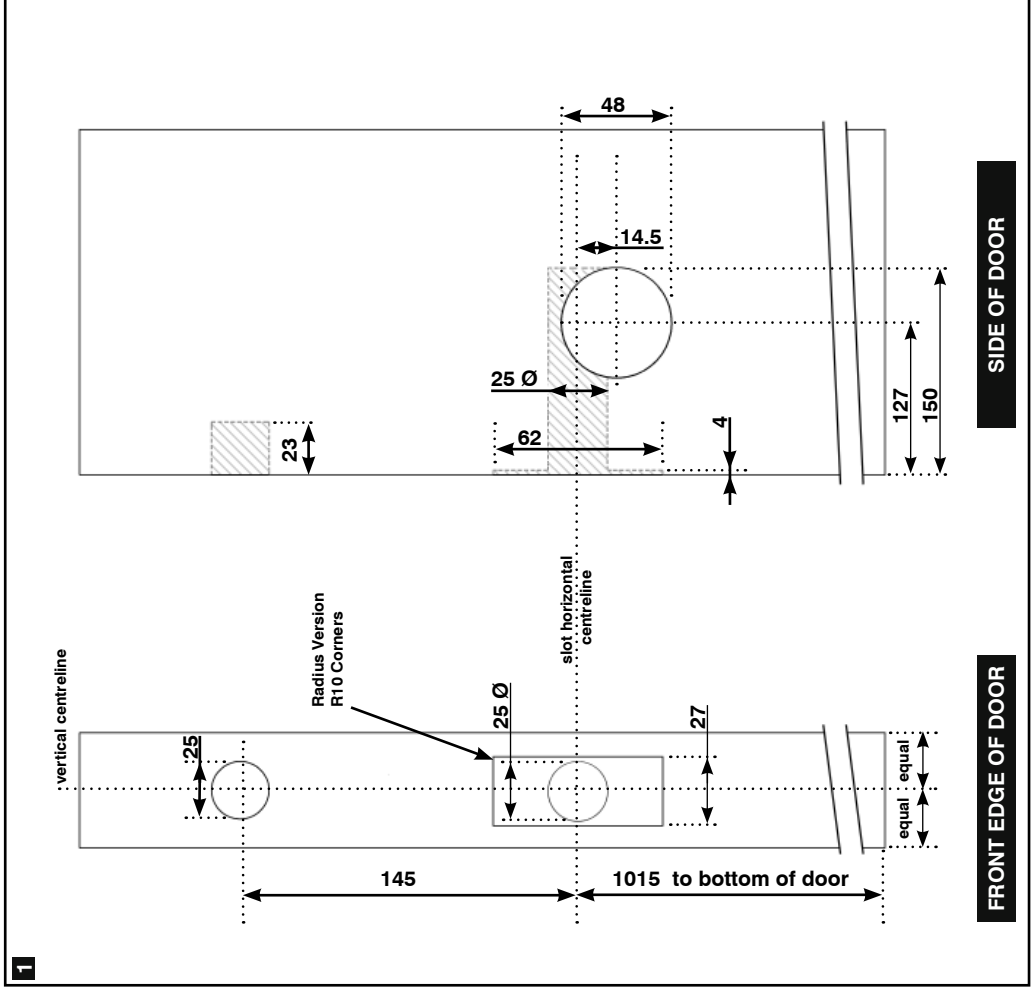


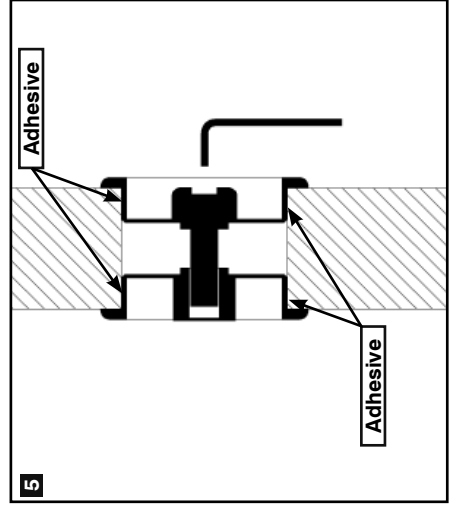
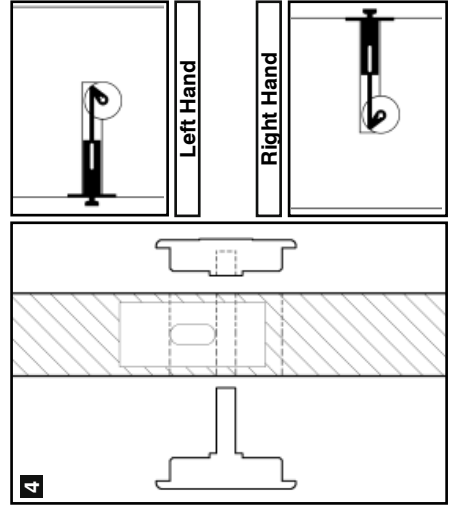
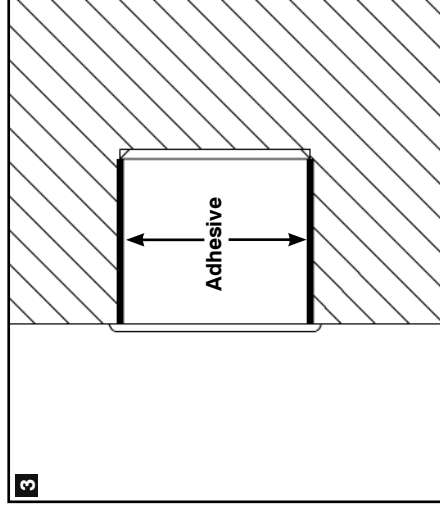
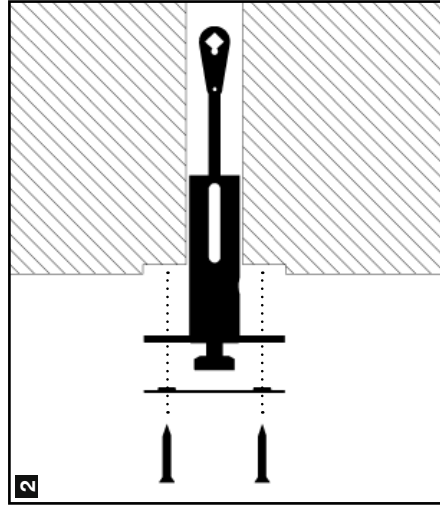
P7516 (40-48mm Door Leaf), P7514 (30-38mm Door Leaf) Door Furniture (Twist and Turn)

PORTMAN

1. Using the dimensions provided, cut a slot, finger pull and handle hole into the door to accommodate the lock, finger pull and both handles.



2. Screw fix the lock and face plate into the cut-out slot using two No.8 x 1 1/4" screws supplied.
3. Fit the finger pull into the cut-out hole. A suitable adhesive is advised to prevent any rotation.
PLEASE NOTE: FINGER PULL IS FITTED WITH THE LIP PROUD IN SINGLE DOORS. IN A DOUBLE DOOR INSTALLATION IT MUST BE COMPLETELY RECESSED INTO THE DOOR.
4. Fit the handles into the 48mm holes inserting the spindle through the lock and into the opposite handle. A suitable adhesive is advised to prevent any rotation. See handle and lock orientation image for correct fitting.
5. Tighten the allen key bolt in the handle to lock both sides together.



6. Pull out the lock hook fully and gently push it up to the frame.
 7. Mark where the lock hook touches the frame and draw a 25mm circle around this point.
 8. Route and chisel the hole you have marked to a depth of 15mm.
 9. Fix the strike plate on top of the drilled hole ensuring it is placed correctly. Screwfix with two No.8 x 1 1/4" screws supplied.
- The closing gap between the door and the frame can be adjusted within the seals (if used). If tighter fitment is required the strike plate will need to be morticed in the frame.

