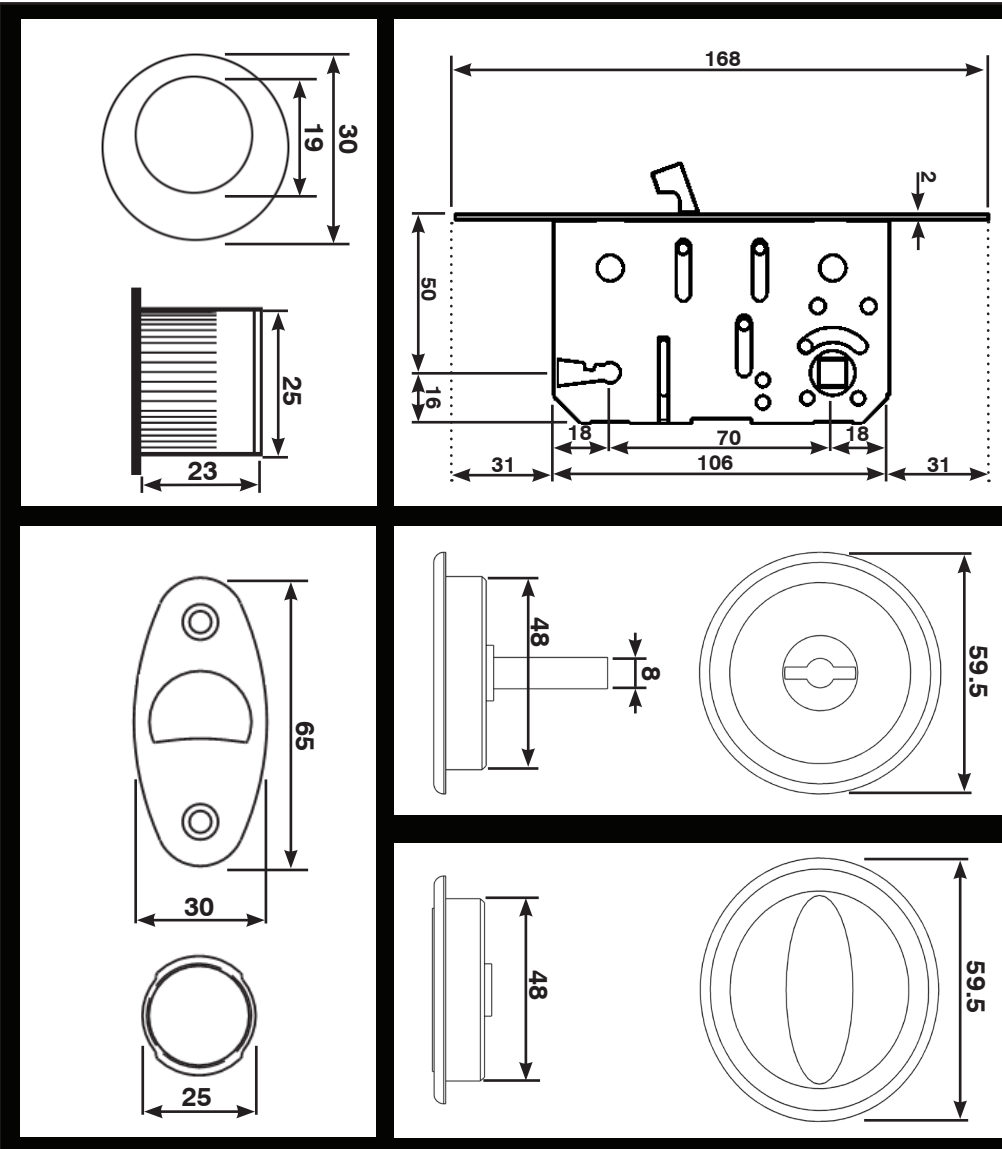
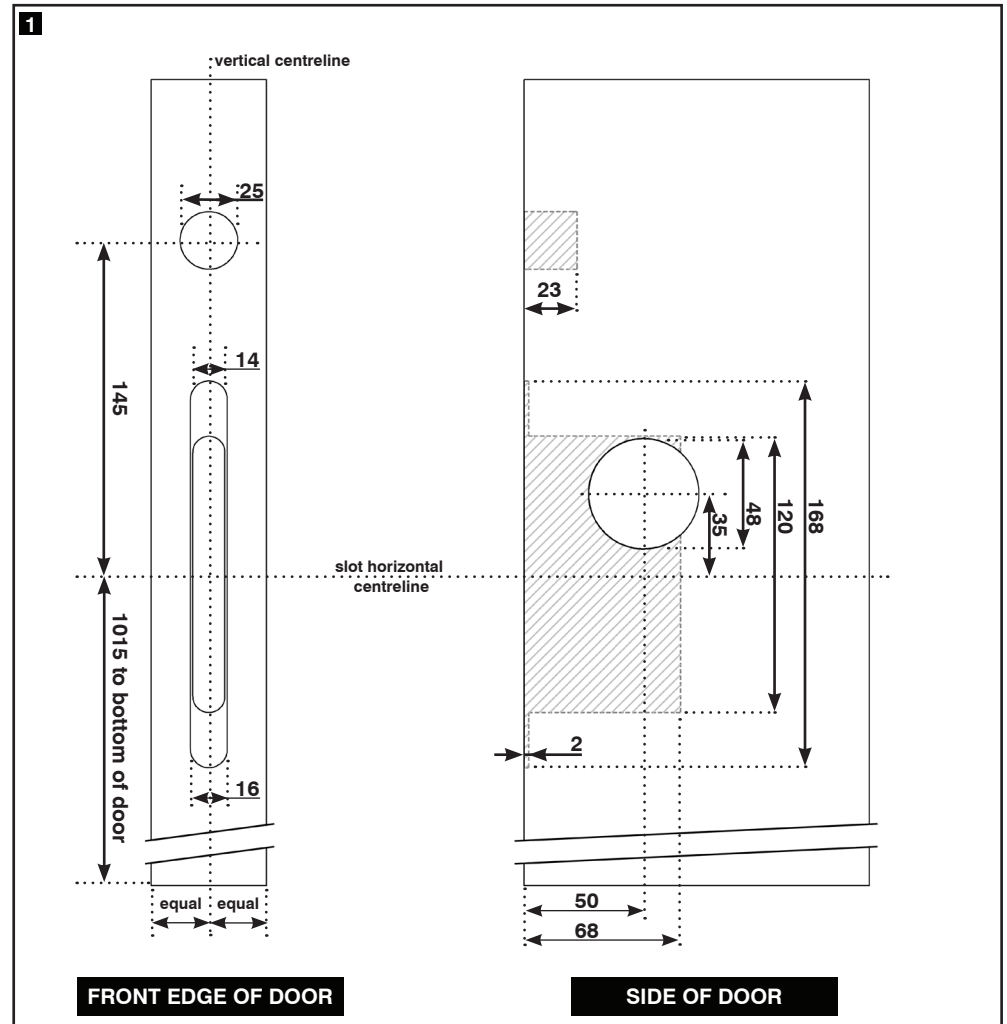


# P7515

## Door Furniture 40-48mm Door Leaf (Standard Lockcase)



1. Using the dimensions provided, cut a slot, finger pull and handle hole into the door to accommodate the lock, finger pull and both handles.



2. Screw fix the lock into the cut-out slot using two 4 x 20mm screws supplied.
  3. Fit the finger pull into the cut-out hole. A silicon adhesive is advised to prevent any rotation.
- PLEASE NOTE: FINGER PULL IS FITTED WITH THE LIP PROUD IN SINGLE DOORS. IN A DOUBLE DOOR INSTALLATION IT MUST BE COMPLETELY RECESSED INTO THE DOOR.**
4. Fit the handles into the 48mm holes inserting the spindle through the lock and into the opposite handle. A silicon adhesive is advised to prevent any rotation.
  5. Tighten the allen key bolt in the handle to lock both sides together.

6. Pull out the lock hook so it is parallel with the floor and gently push it up to the frame.
7. Mark where the lock hook touches the frame and draw a 25mm circle around this point.
8. Mill the circle you have marked to a depth of 15mm.
9. Fit the black plastic infill plug into the hole you have just created. Fix the striker plate on top of this ensuring it is placed correctly. Screwfix with two 4 x 20mm screws supplied.

